



## VH3V Series 3-Way High Pressure Ball Valve

### Specifications:

- ◆ 3-Way L(T) Port 1/4" to 1"
- ◆ Male/Female thread DN06 to DN25
- ◆ Steel or Stainless steel material
- ◆ Standard POM ball seal & NBR O-ring
- ◆ Working Pressure 315bar to 500bar (10bar=145psi)
- ◆ Working Temp: -25 °C~ +100°C with standard NBR o-ring;  
-30 °C ~ +170°C with specified FPM o-ring
- ◆ Standard zinc alloy crooked handle



### ► Model Code

VH3V - G 1/2 - 1 1 1 2 - 02X - W  
(1) (2) (3) (4) (5) (6) (7) (8) (9)

**(1)Series Code:** VH3V

**(2)Joint Code:** NPT, G, M, LR, SR

**(3)Thread Size:** 1/4" - 1"

**(4)Body Material:** 1 = Carbon steel (standard)

2 = Stainless steel SS304

3 = Stainless steel SS316

**(5)Ball Material:** 1 = Carbon steel (standard)

2 = Stainless steel SS304

3 = Stainless steel SS316

**(6)Ball Seal Material:** 1 = POM (Polyacetal) (standard)

2 = PTFE (Teflon)

**(7)O-Ring Material:** 2 = NBR (standard)

4 = FPM (Fluoroelastomer)

**(8)Handle Type:** 02X = Zinc alloy crooked handle (standard)

04X = Steel crooker handle

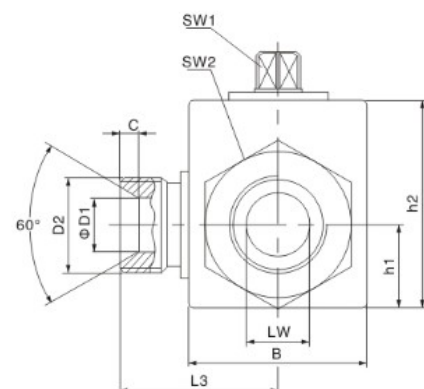
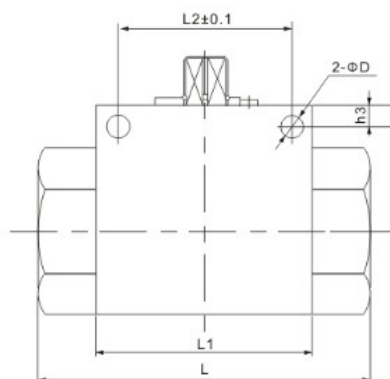
09X = Without handle

**(9)Surface Disposal:** W = White zinc plated

Y = Yellow zinc plated

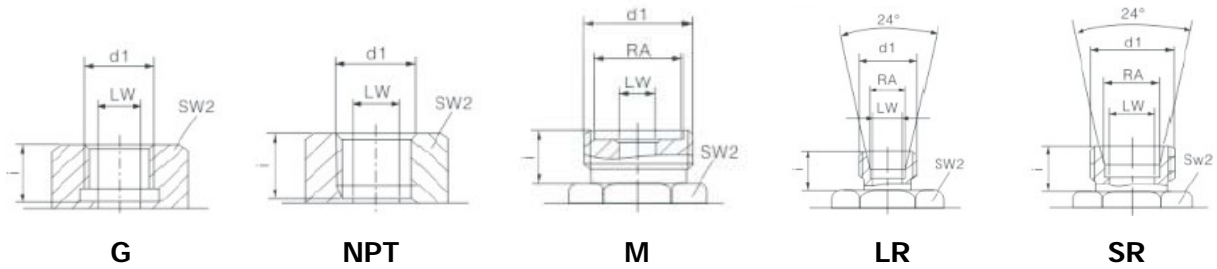
B = Blank-phosphoric polish

### ► Dimensions





► Port Chart



► Dimension Sheet

ISO 228 Female Thread/Internal Thread

Model	DN (mm)	PN (bar)	LW	thread	i	L	L1	B	L2	h1	h2	SW1	SW2	D	h3
VH3V-G1/4	06	500	06	BSP1/4	14	69	40	26	31.5	13.5	35	09	22	4.5	4.8
VH3V-G3/8	10	500	10	BSP3/8	14	72	42	32	31.5	16	40	09	27	5.3	5.8
VH3V-G1/2	13	500	12	BSP1/2	16	83	48	35	38.5	18	45	09	30	6.5	6
VH3V-G3/4	20	315	20	BSP3/4	18	93	60	50	48.5	23	58	12	41	6.5	6
VH3V-G1	25	315	25	BSP1	21	115	65	57	50.5	27.5	65	12	46	8.5	7

ANSI B1.20.1 Female Thread/Internal Thread

Model	DN (mm)	PN (bar)	LW	thread	i	L	L1	B	L2	h1	h2	SW1	SW2	D	h3
VH3V-NPT1/4	06	500	06	NPT1/4	14	69	40	26	31.5	13.5	35	09	22	4.5	4.8
VH3V-NPT3/8	10	500	10	NPT3/8	14	72	42	32	31.5	16	40	09	27	5.3	5.8
VH3V-NPT1/2	13	500	12	NPT1/2	16	83	48	35	38.5	18	45	09	30	6.5	6
VH3V-NPT3/4	20	315	20	NPT3/4	18	95	60	50	48.5	23	58	12	41	6.5	6
VH3V-NPT1	25	315	25	NPT1	21	113	65	57	50.5	27.5	65	12	46	8.5	7

JB984-77 Male Thread/External Thread

Model	DN (mm)	PN (bar)	LW	thread	i	L	L1	B	L2	h116	h2	SW1	SW2	D	h3
VH3V-M16x1.5	06	500	06	M16x1.5	11	69	40	26	31.5	13.5	35	09	22	4.5	4.8
VH3V-M27X1.5	10	500	10	M27X1.5	12	76	42	32	31.5	16	40	09	27	5.3	5.8
VH3V-M36x2	20	315	20	M36x2	15	103	60	48	48.5	25	58	12	41	6.5	6
VH3V-M42X2	25	315	23	M42x2	18	116	65	57	50.5	28.5	65	12	46	8.5	7



DIN 2353 Light Series Male Thread/External Thread

Model	DN (mm)	PN (bar)	LW	thread	i	L	L1	B	L2	h1	h2	SW1	SW2	D	h3
VH3V-08LR	06	500	06	M14x1.5	10	67	40	266	31.5	13.5	35	09	22	4.5	4.8
VH3V-12LR	10	500	10	M18x1.5	11	74	42	32	31.5	16	40	09	27	5.3	5.8
VH3V-15LR	13	500	12	M22x1.5	12	82	48	35	38.5	18	45	09	30	6.5	6
VH3V-18LR	13	500	12	M26x1.5	12	82	48	35	38.5	18	45	09	30	6.5	6
VH3V-22LR	20	315	19	M30x2	14	101	60	50	48.5	23	58	12	41	6.5	6
VH3V-28LR	25	315	24	M36x2	14	108	65	57	50.5	27.5	65	12	46	8.5	7

DIN2353 Heavy Series Male Thread/External Thread

Model	DN (mm)	PN (bar)	LW	thread	i	L	L1	B	L2	h1	h2	SW1	SW2	D	h3
VH3V-10SR	06	500	06	M18x1.5	12	73	40	26	31.5	13.5	35	09	22	4.5	4.8
VH3V-14SR	10	500	10	M22x1.5	14	80	42	32	31.5	16	40	09	27	5.3	5.8
VH3V-16SR	13	500	12	M24x1.5	14	86	48	35	38.5	18	45	09	30	6.5	6
VH3V-20SR	13	500	12	M30x1.5	16	90	48	35	38.5	18	45	09	30	6.5	6
VH3V-25SR	20	315	19	M36x2	18	109	60	50	48.5	23	58	12	41	6.5	6
VH3V-30SR	25	315	24	M42x2	20	120	65	57	50.5	27.5	65	12	46	8.5	7